

Front Fog Lamp Bezel Package Installation

Installation Instructions Part Number

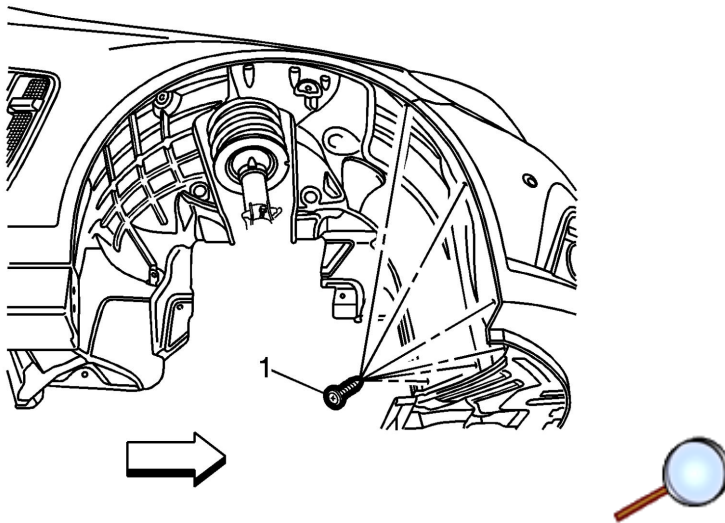
92272734

Note: Read instruction carefully before installation.

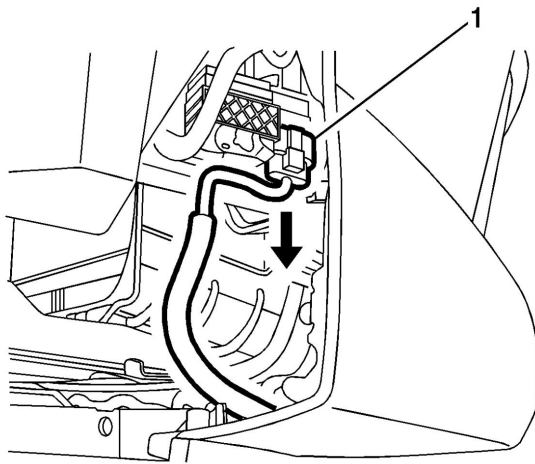
Tools Required

- Phillips Head Screwdriver
- Trim Release Tool
- 10mm, 13mm Socket
- Ratchet
- T20 Torx Bit
- Suitable Flat Blade Tool

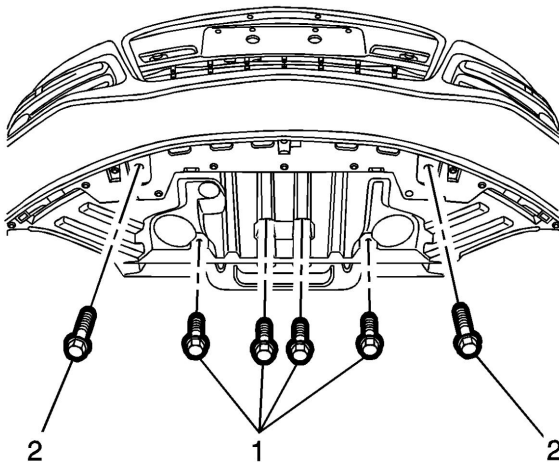
[Fitting Instructions](#)



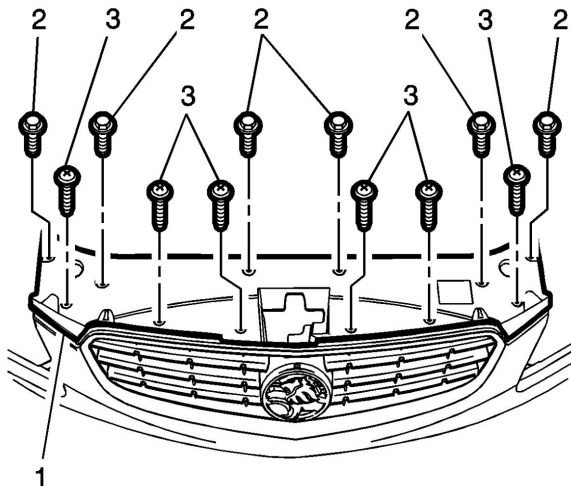
1. Raise and secure the vehicle off the ground and remove the front wheels.
2. Remove the 6 screws (1) fixing the front wheel arch liner to the vehicle fascia (both sides of vehicle).



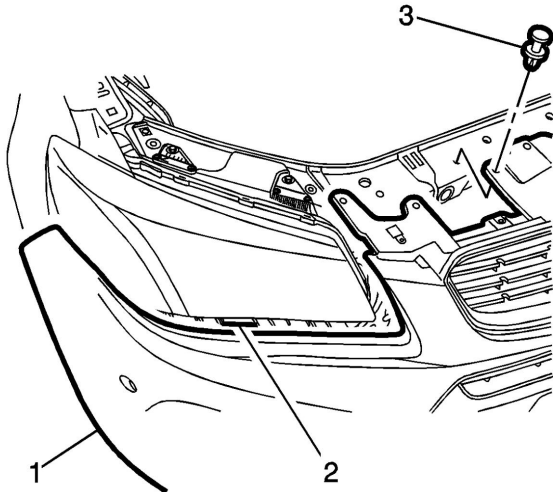
3. Disconnect the fascia harness (1) from the vehicle harness.



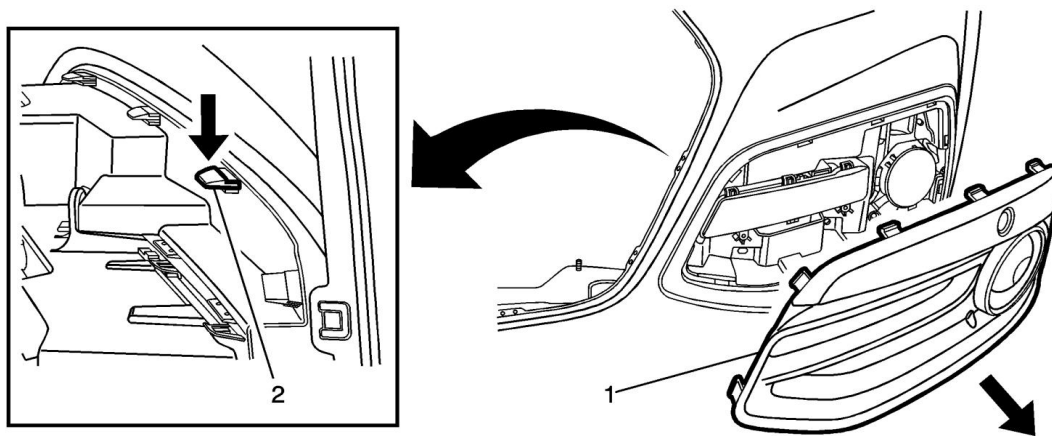
4. From under the vehicle, remove the 4 short fascia nappy bolts (1) and the 2 front long fascia support bolts (2).



5. From under the vehicle bonnet, remove the 6 bolts (2) across the rear edge of the front fascia cover and the 6 screws (3) across the front of the front cover and remove the cover (1).

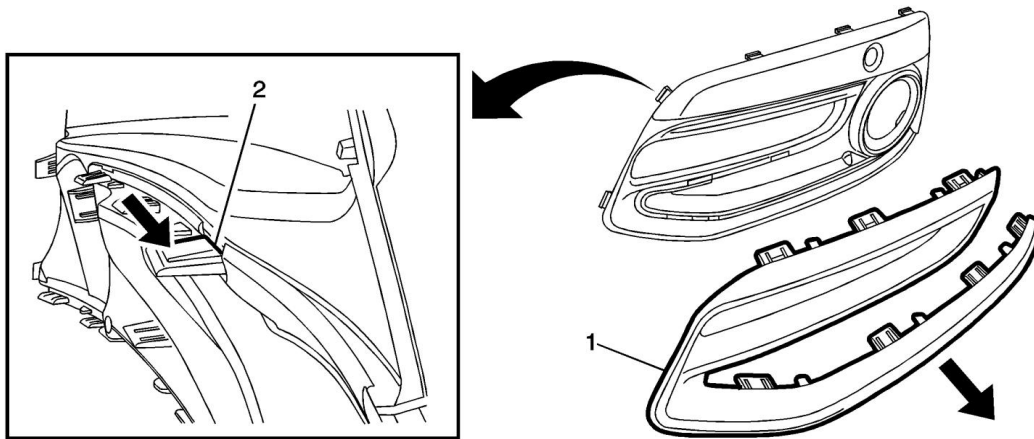


6. Remove the 2 screws (3) retaining the fascia to the front cross member. Carefully pull the fascia outwards to release the fascia from the fender retaining clips (1), then carefully pull the fascia forwards to release the fascia retaining clips (2) under the headlamps. Remove the vehicle fascia.



Caution: Place vehicle fascia on a stable work surface and take suitable precaution to protect the painted surface from any damage.

7. Remove the front fog light covers (1) from the front of the fascia by carefully releasing clips (2) (11 places) located at the rear of the fascia.



8. Remove the fog light cover bezel trims (1) by carefully releasing the retaining clips (2) (10 places).
9. Install accessory fog light cover bezel trims to the fog light covers in a reverse manner to Step 8 ensuring all clips are correctly secured.
10. Re-install fog light covers to the vehicle fascia ensuring all clips are properly secured.
11. Re-install vehicle fascia and front wheel arch liners to the vehicle in the reverse order as removed in Steps 1 through 6.

Front Fog Lamp Bezel Package Installation

PARTS LIST	
DESCRIPTION	QUANTITY
Part Number: 92272733	
Fog Lamp Bezel (RHS)	1
Fog Lamp Bezel (LHS)	1
Instructions	1