

Cargo Lamp Kit Installation

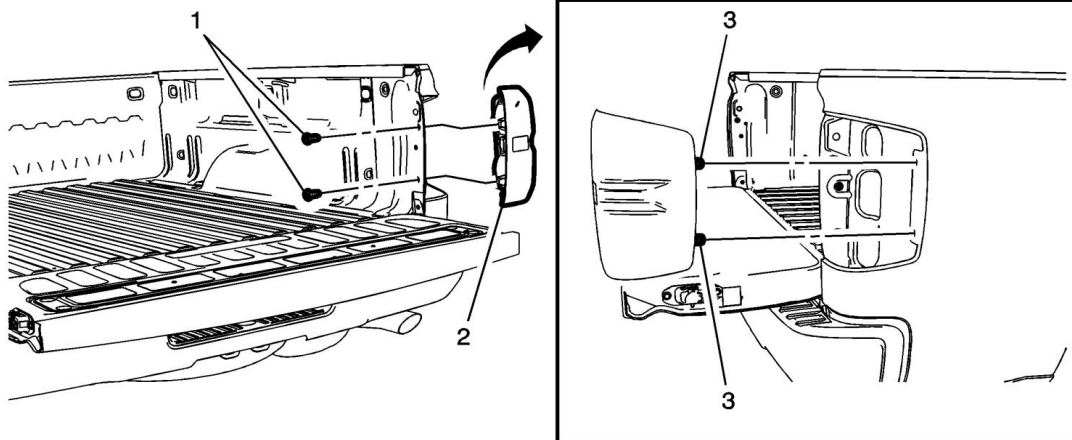
Installation Instructions Part Number

22933562

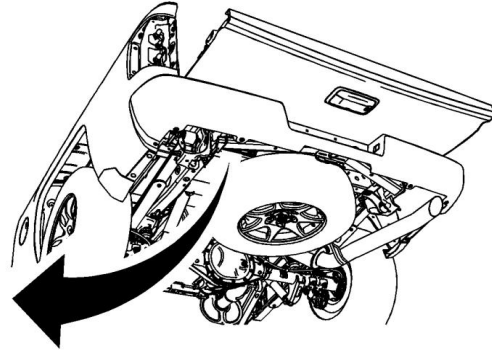
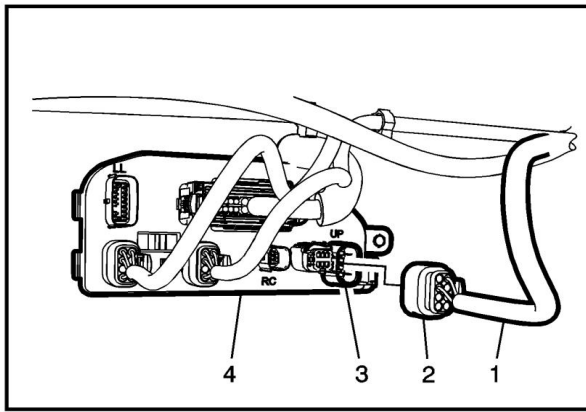
Kit Contents

Qty	Description
2	Cargo Lamp
1	Wire Harness
4	Push Nut
4	Screw
1	Installation Instructions

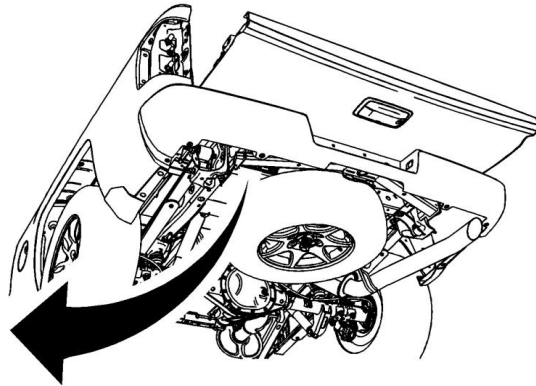
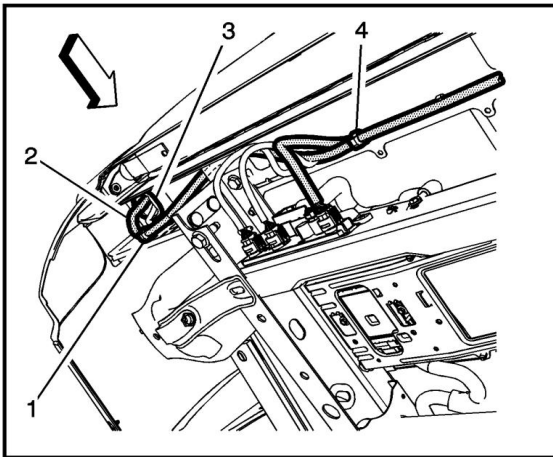
[Procedure](#)



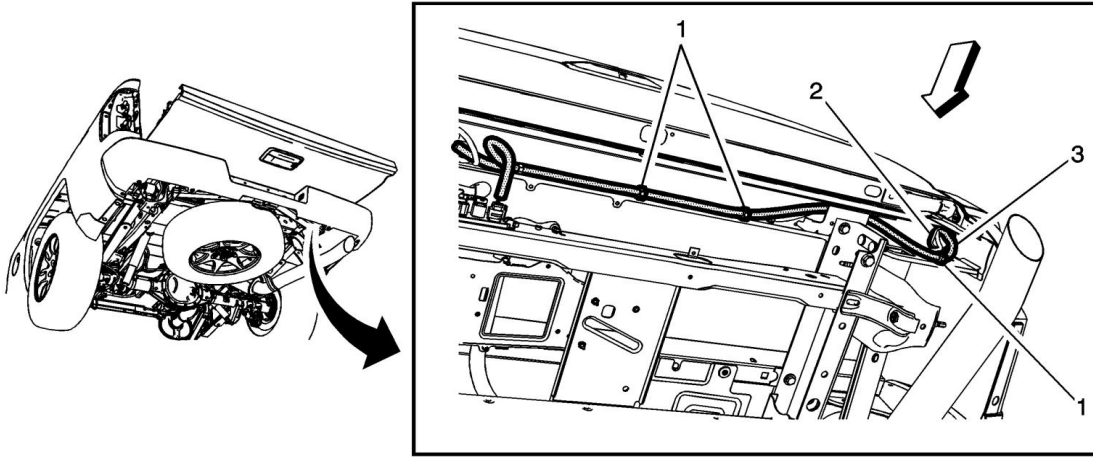
1. Disconnect negative battery cable. Refer to Vehicle Service Manual.
2. Open tailgate.
3. Remove the screws (1) from left and right tail lamp (2).
4. Pull out on tail lamp and disengage guides (3).
5. Disconnect tail lamp sockets from tail lamp and store tail lamp in secure area.



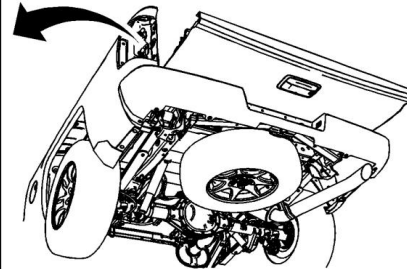
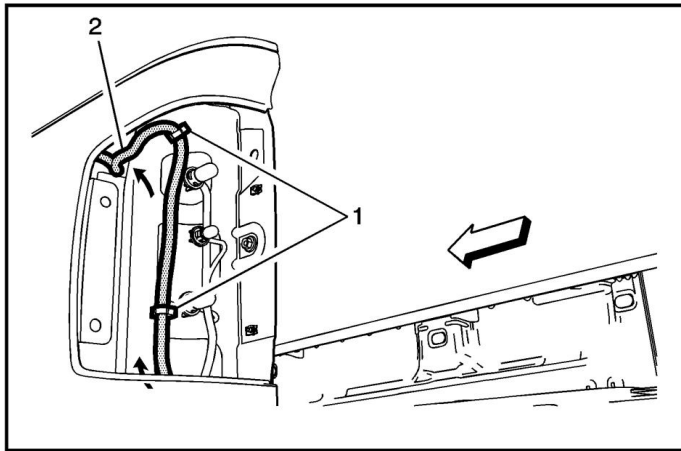
6. Remove spare tire, if necessary. Refer to Vehicle Service Manual.
7. Locate buss block (4) on rear cross sill.
8. Locate 8-way connection labeled UP (3) on buss block.
9. On supplied kit harness (1) plug in 8-way connector (2) into buss block 8-way connection labeled UP (3).



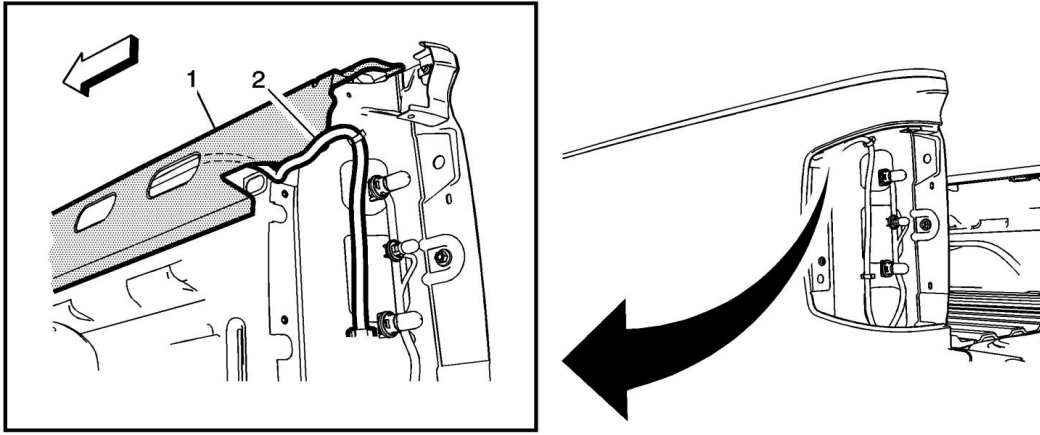
10. Remove tear tape on harness, find driver side label.
11. Attach first rosebud (4) in harness to rail above buss block, engage next rose bud (1) and fish up driver side of harness (2) through hole (3) on driver side in rear sill cross, up behind tail lamp reinforcement, pull up harness through hole.



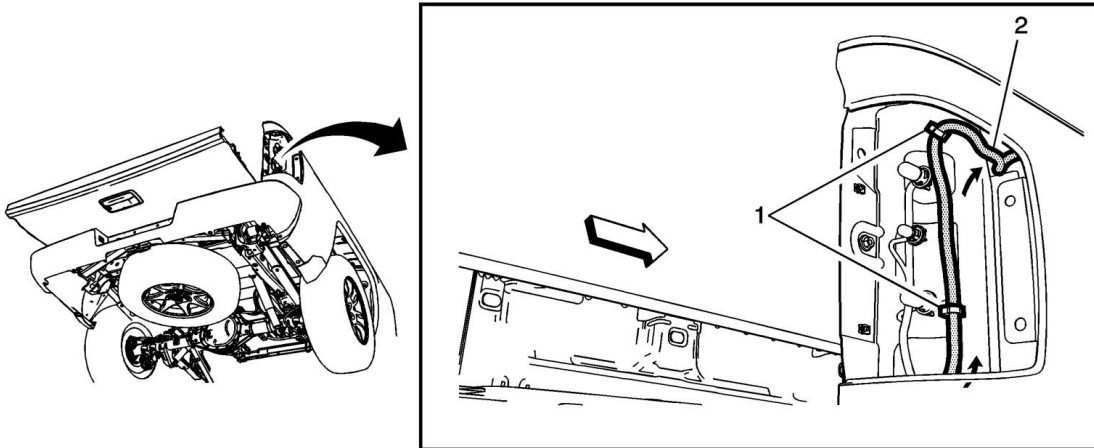
12. Attach remaining rosebuds (1) in harness to passenger side rail and fish up passenger side of harness (3) through hole (2) on passenger side in rear sill cross, up behind tail lamp reinforcement, pull up harness through hole.



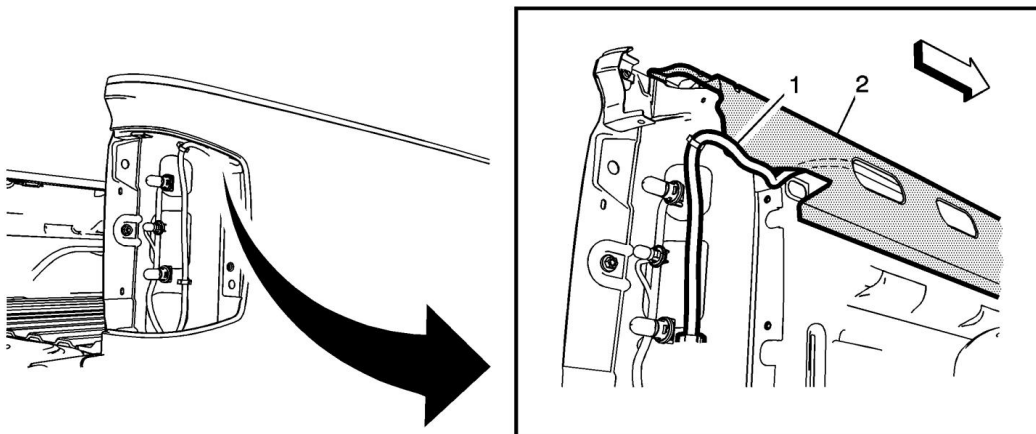
13. On the driver side, looking down in cross sill, pull harness (2) up, and connect the two rosebuds (1) to the reinforcement. Using a suitable rod tool with hook, grab 2-way connector and pull harness (2) through into box.



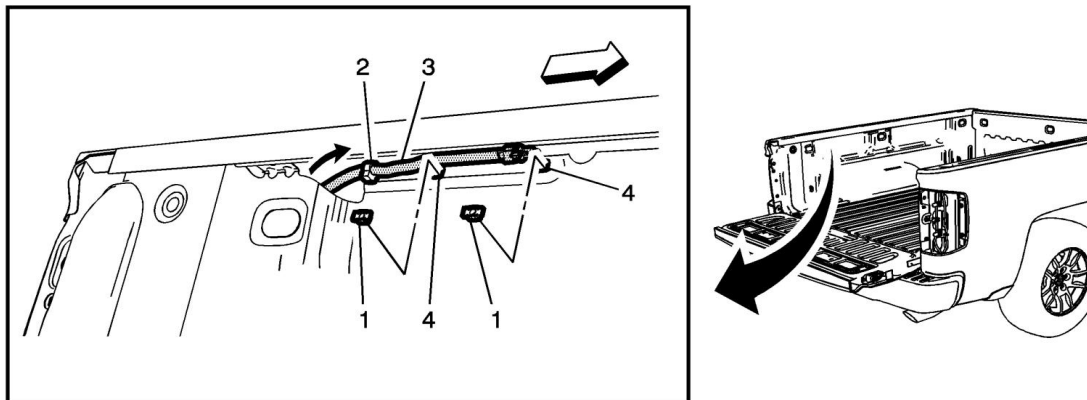
14. For driver side on 8 foot dually box, route wire harness (2) through dually reinforcement (1).



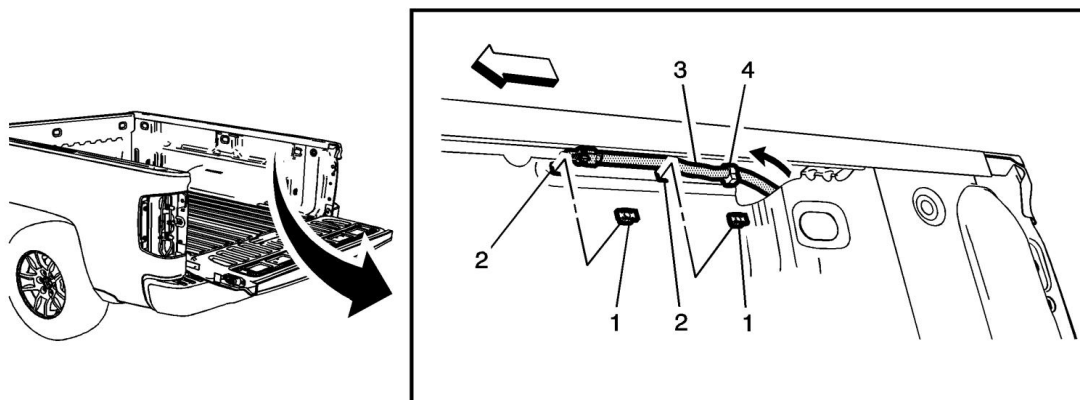
15. On the passenger side, looking down in cross sill, pull harness (2) up, and connect the two rosebuds (1) to the reinforcement. Using a suitable rod tool with hook, grab 2-way connector and pull harness (2) through into box.



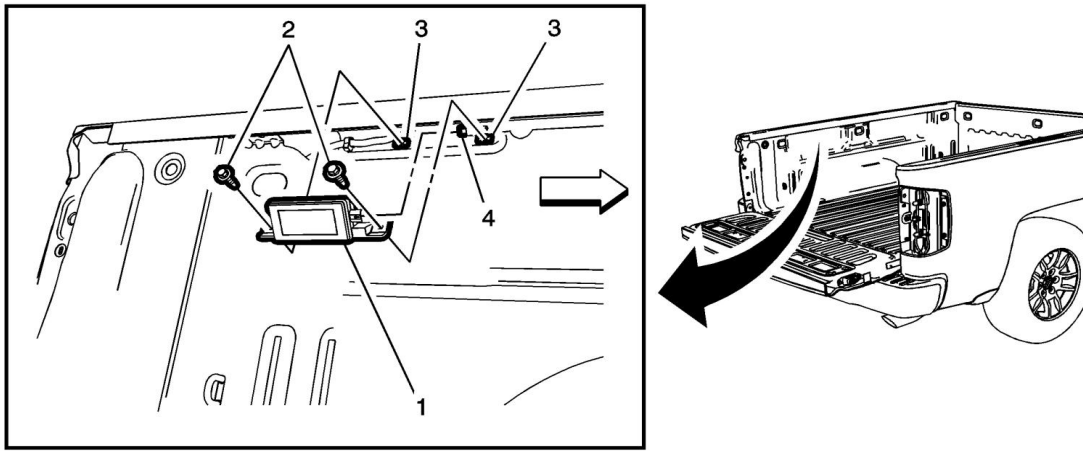
- 16. For passenger side on 8 foot dually box, route wire harness (2) through dually reinforcement (1).



- 17. Once driver side harness (3) is pulled through, attach rosebud (2) to inner box panel.
- 18. Supplied in kit, engage the two push nuts (1) into the inner box panel (4).



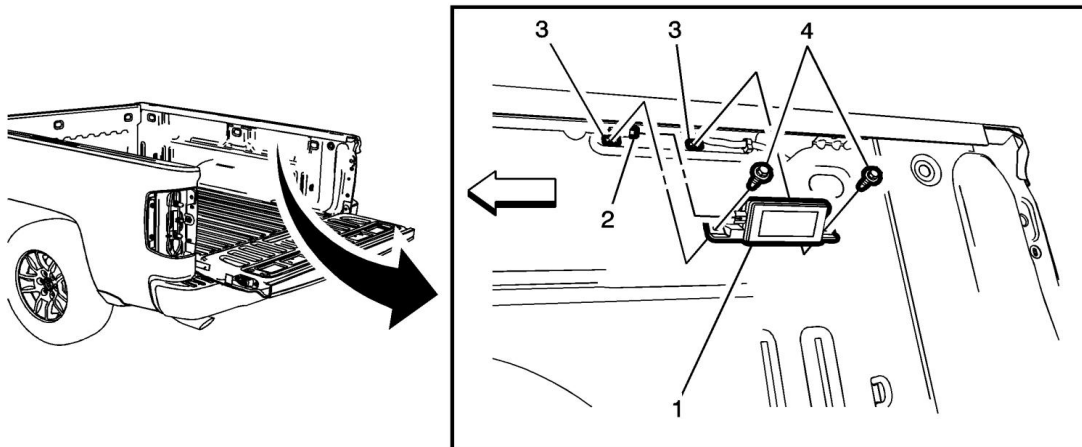
- 19. Once passenger side harness (3) is pulled through, attach rosebud (4) to inner box panel.
- 20. Supplied in kit, engage the two push nuts (1) into the inner box panel (2).



Note: Cargo lamps are both the same, they can be used for either the driver or passenger side.

Note: Driver side harness routes over cargo lamp and connector engages toward front of vehicle.

21. On driver side, position cargo lamp (1) to push nuts (3) while positioning harness above lamp.
22. Install supplied screws (2) to cargo lamp and tighten.
23. Connect harness connector (4) to cargo lamp.



Note: Passenger side harness routes to cargo lamp and connector engages at rear of vehicle.

24. On passenger side, position cargo lamp (1) to push nuts (3).
25. Install supplied screws (4) to cargo lamp and tighten.
26. Connect harness connector (2) to cargo lamp.
27. Connect negative battery cable.
28. Test the function of cargo lamps.
29. Reinstall all previously removed components.